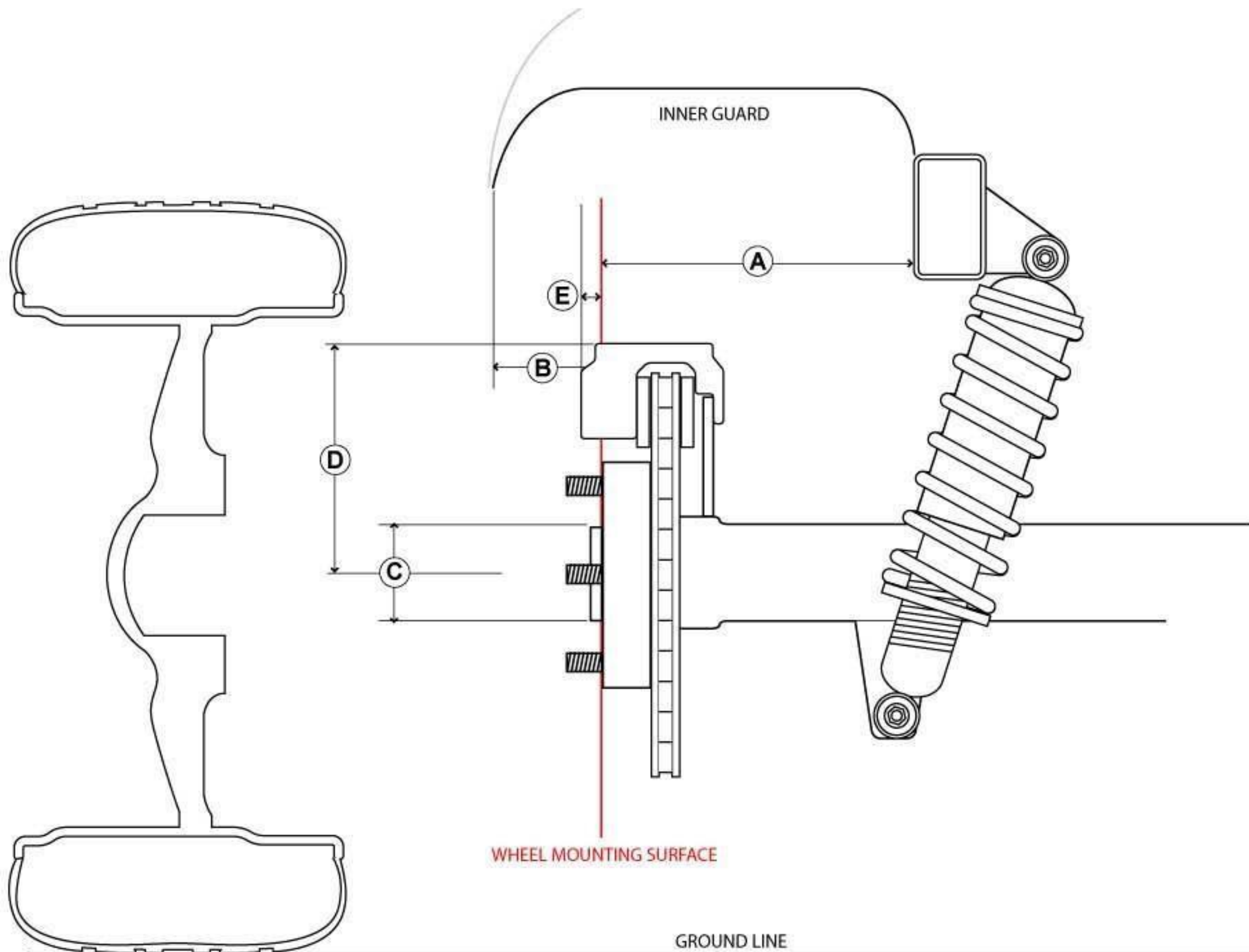


REAR WHEEL SECTION - DISC BRAKES



CUSTOMER NAME _____

PHONE _____

FAX _____

MAKE _____

MODEL _____

YEAR _____

BOLT PATTERN _____

ORIGINAL WHEEL SIZE _____

ORIGINAL TYRE SIZE _____

A MOUNTING SURFACE TO FIRST OBSTRUCTION CHASSIS SIDE _____

B MOUNTING SURFACE TO INSIDE FENDER _____

C HUB DIAMETER _____

D BRAKE DIAMETER: CENTRE TO TOP OF CALIPER (x2) _____

E PROTRUSION OF CALIPER PAST MOUNTING SURFACE _____



**FORMS TO BE FILLED OUT AT COMPRESSED HEIGHT
JACK SUSPENSION UP INTO GUARD CAVITY**

RETURN FORM TO INFO@WHEELBOYZ.COM.AU